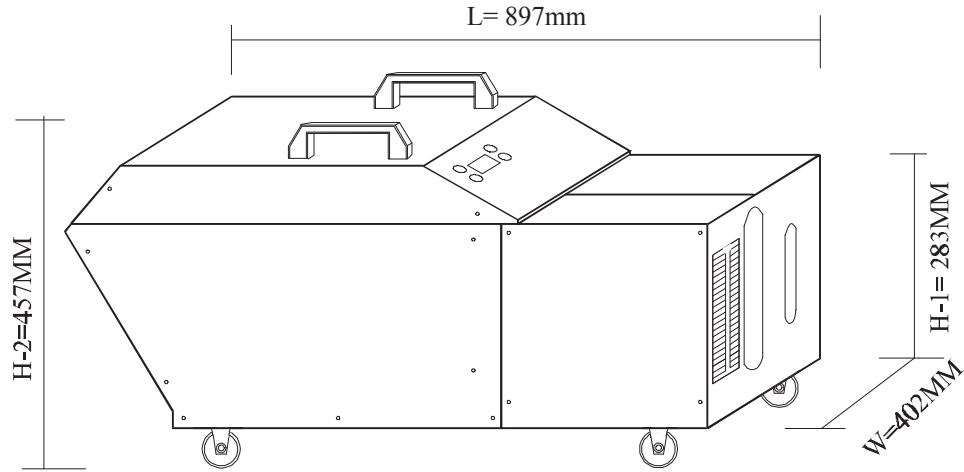


HYDROSONIC 2000 INSTRUCTION MANUAL

● SPECIFICATIONS

● DIMENSIONS



● ELECTRIC'S

POWER SUPPLY.....	240 volts AC
.....	230 volts AC
.....	110/120 volts AC
 POWER CONSUMPTION.....	@ 230 / 240 volts - 400 watts
.....	@ 110 / 120 volts - 400 watts
 MAINS CONNECTOR.....	3 pin female I.E.C
 DMX 512 CONNECTORS.....	DMX IN:- 5 pin male XLR
.....	DMX OUT:- 5 pin female XLR
 MARTIN PROTOCOL CONNECTORS.....	IN:- 3 pin male XLR
.....	OUT:- 3 pin female XLR

● FLUID

CONTAINER.....	9.50 LITRES
.....	2.09 IMP GALLONS
.....	2.50 U.S. GALLONS
 FLUID TYPES.....	STANDARD
.....	LONG LASTING
 FLUID CONSUMPTION.....	2.10 Lt. per hour (average)
.....	2.50 Lt. per hour (max)